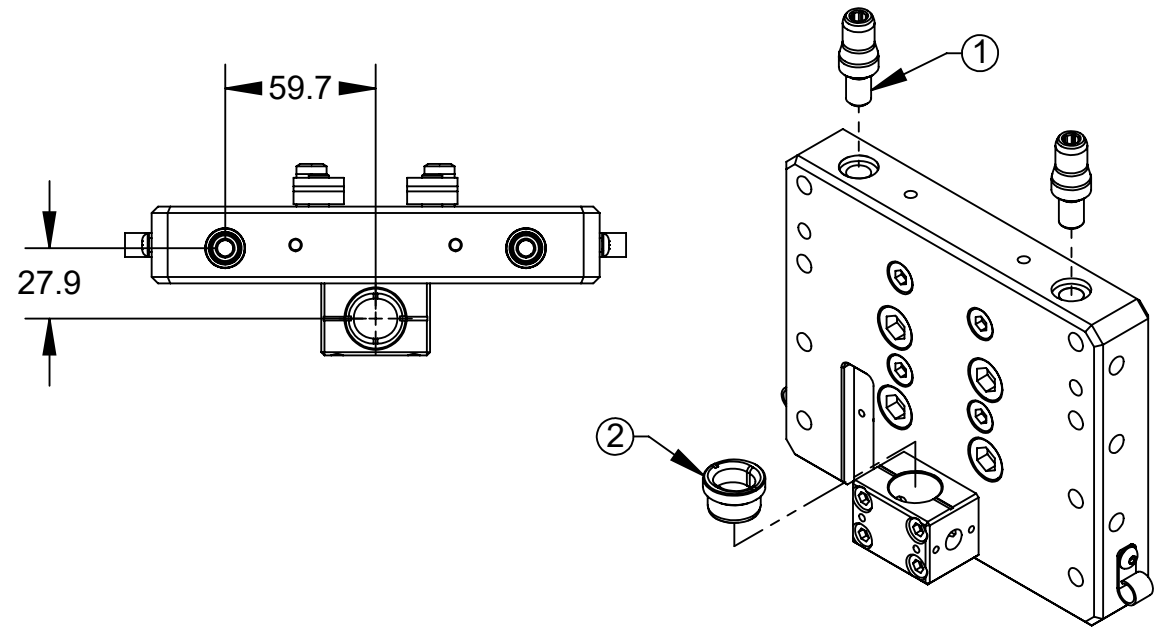
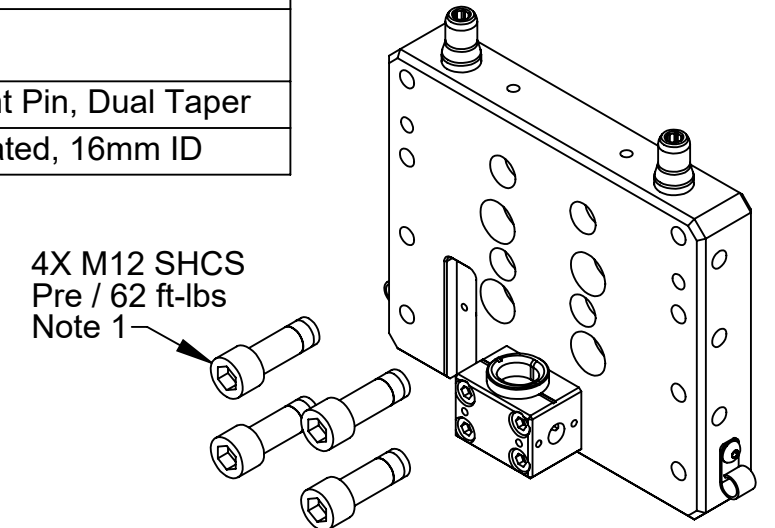
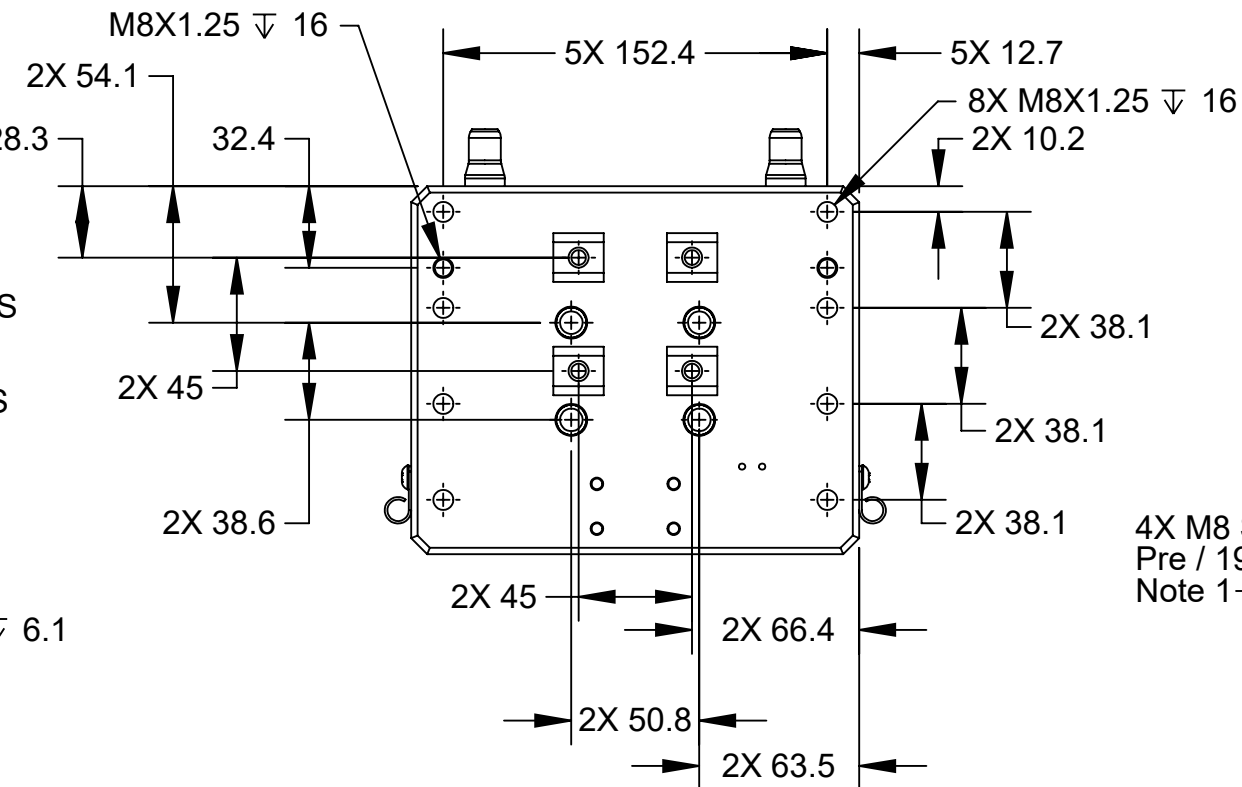
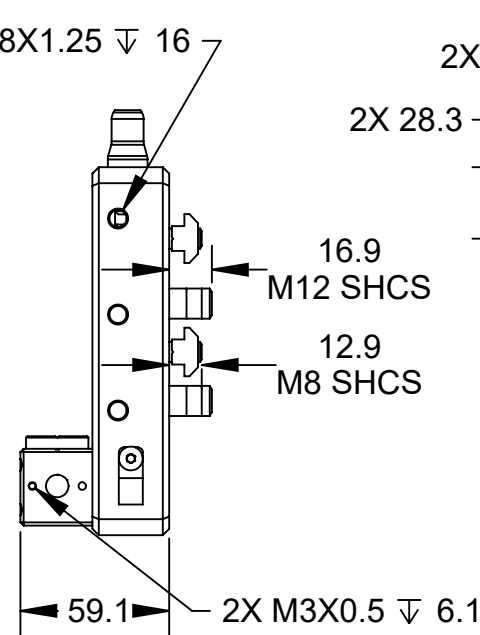
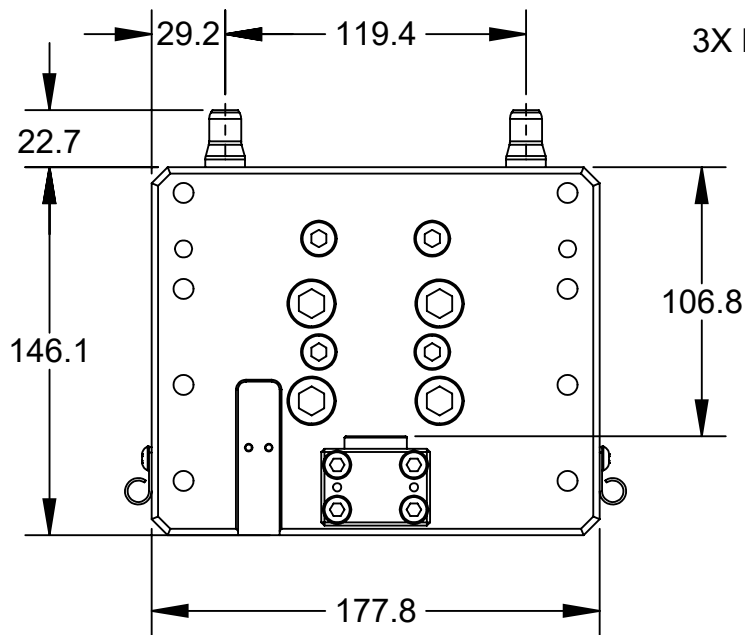


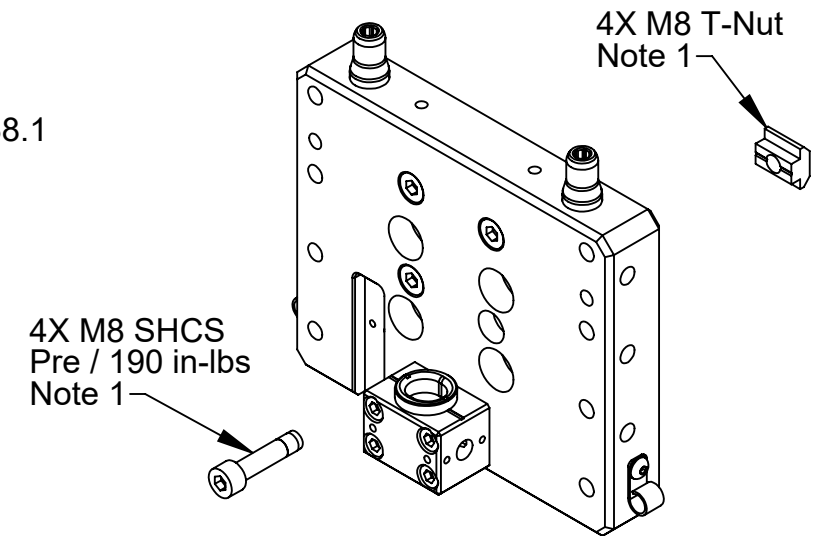
Rev.	Description	Initiator	Date
02	ECO 20595: Updated to reflect holes in Rigid Nest Plate. Updated title block.	REH	1/19/2022



Serviceable Items			
ITEM NO.	QTY.	PART NUMBER	DESCRIPTION
1	2	3700-20-8434	TSM Pin & Bushing, Alignment Pin, Dual Taper
2	1	3700-20-8436	Drill Bushing, Flanged, Elongated, 16mm ID



Standard Mounting Hardware



Extruded Rail Mounting Hardware

Notes:

- Fasteners shipped loose.
- Material - Pins & Bushing - A2 Tool Steel
Plate - 6061-T6 Aluminum, soft coat black anodize

ITEM NO.	QTY.	PART NUMBER	DESCRIPTION
1	1	9120-TSM-MMB-8432	TSM Pin & Bushing Mounting Module - Rigid

NOTES: UNLESS OTHERWISE SPECIFIED. DO NOT SCALE DRAWING. ALL DIMENSIONS ARE IN MILLIMETERS.			1031 Goodworth Drive, Apex, NC 27539, USA Tel: +1.919.772.0115 Fax: +1.919.772.8259 www.ati-ia.com ISO 9001 Registered Company		
	DRAWN BY: J. Winterroth, 9/23/13 CHECKED BY: D. Norton, 10/23/13		TITLE TSM Pin & Bushing Mounting Module - Rigid		
 3rd ANGLE PROJECTION		PROJECT # 130510-5 SHEET 1 OF 1	SCALE 1:3 SIZE B	DRAWING NUMBER 9630-20-TSM-MMB-8432	REVISION 02

PROPERTY OF ATI INDUSTRIAL AUTOMATION, INC. NOT TO BE REPRODUCED IN ANY MANNER EXCEPT ON ORDER OR WITH PRIOR WRITTEN AUTHORIZATION OF ATI.